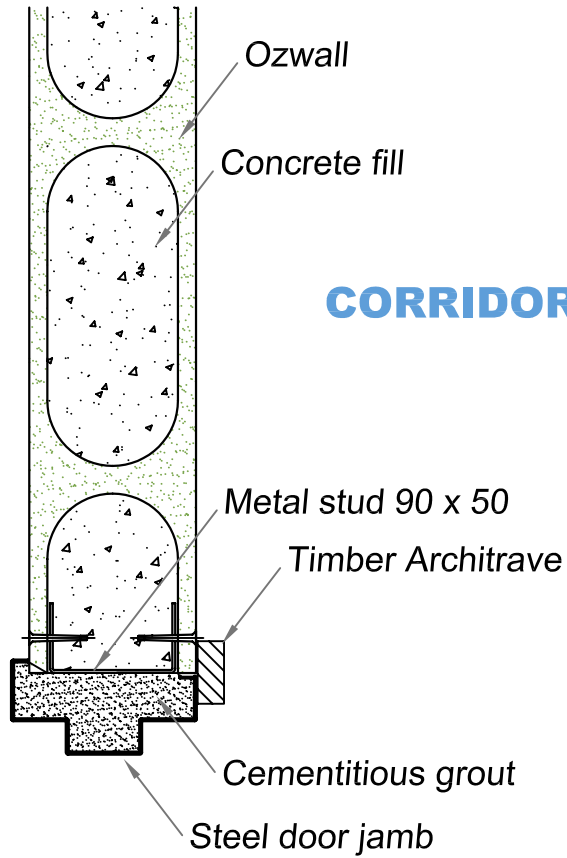
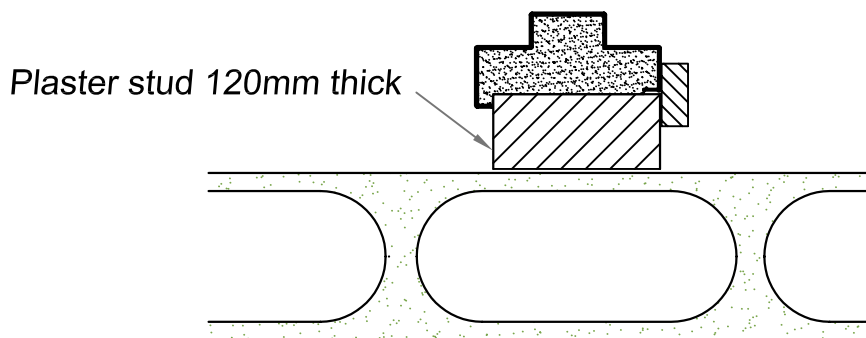


APARTMENT

CORRIDOR



**DOOR OPENING
ADJACENT TO WALL PANEL**



OZWALL Pty Ltd

Fire rated entry detail

Date:	Issue:	Drawing No:
08/05	A	OZ-SK 13