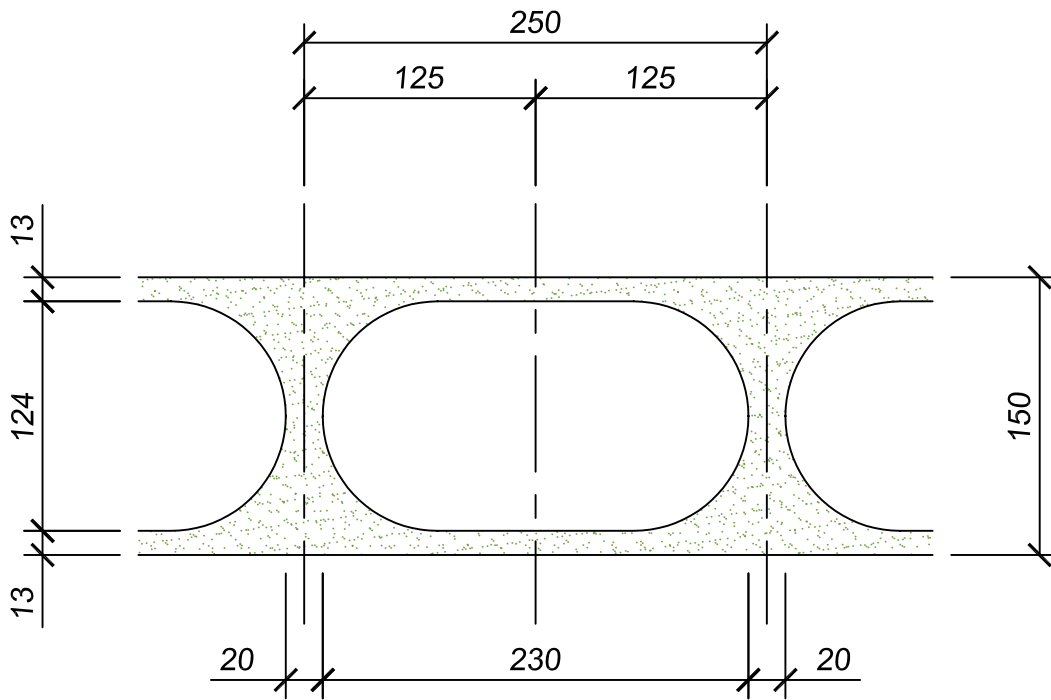
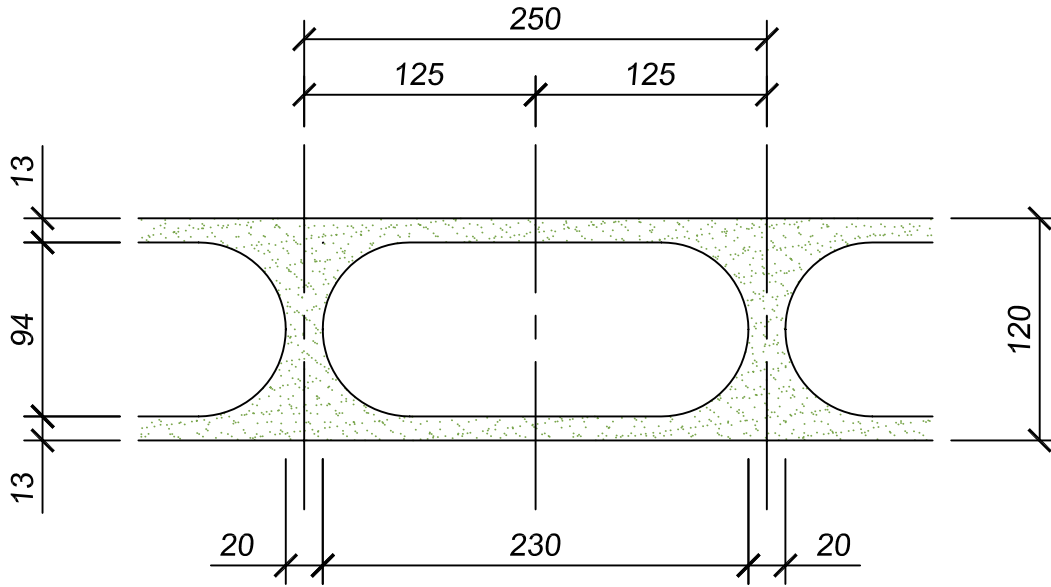


# OZWALL PANELS & PARTITIONS



OZWALL Pty Ltd

## Typical Panel Sections

|       |        |             |
|-------|--------|-------------|
| Date: | Issue: | Drawing No: |
| 08/05 | A      | OZ-SK 4     |