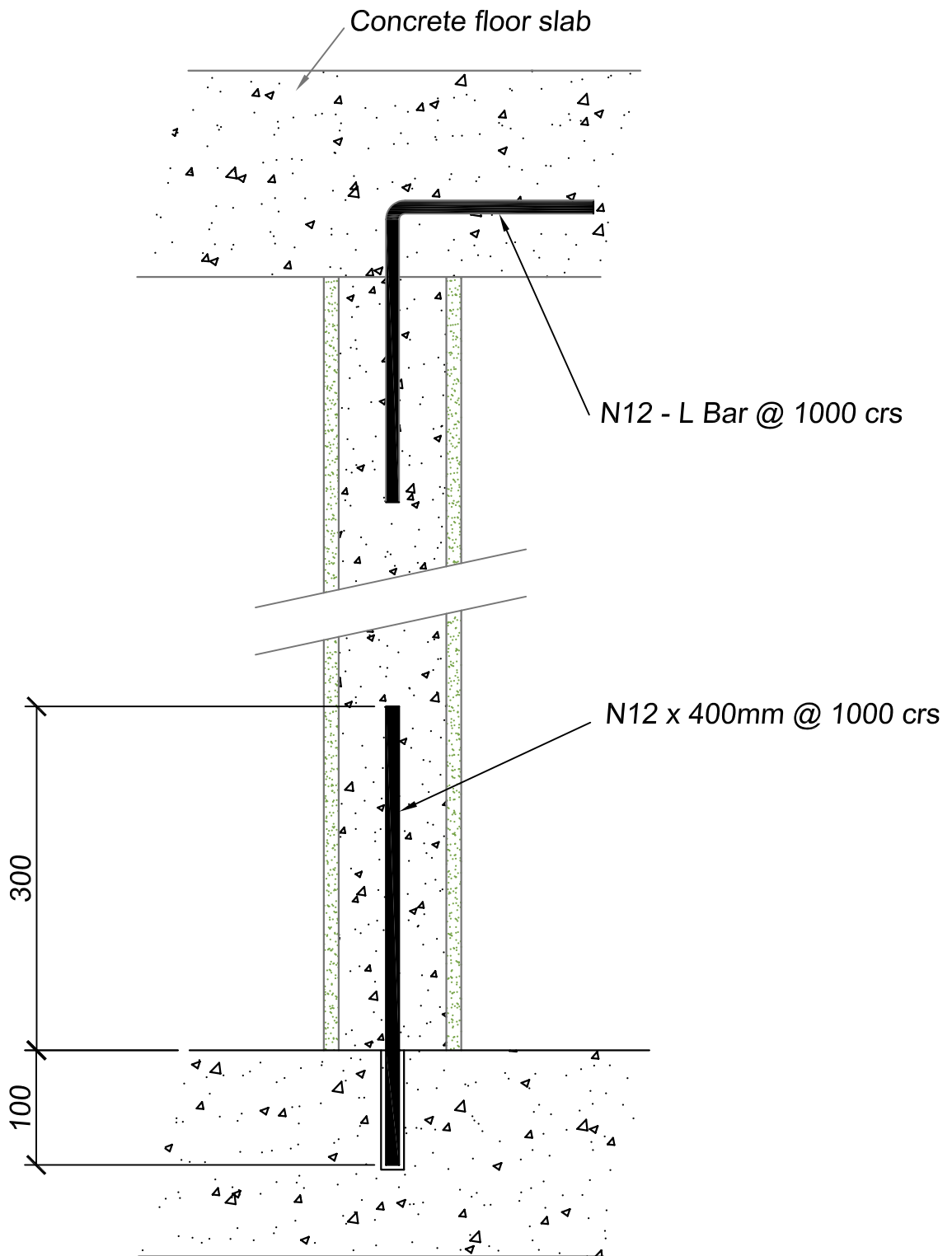


OZWALL PANELS & PARTITIONS



- Notes: 1. Pre-mark cables for Post-Tensioned slabs
2. If service pipes are hit while drilling, mark for others

OZWALL Pty Ltd

Standard
Reinforcement

| | | |
|-------|--------|-------------|
| Date: | Issue: | Drawing No: |
| 08/05 | A | OZ-SK 8 |